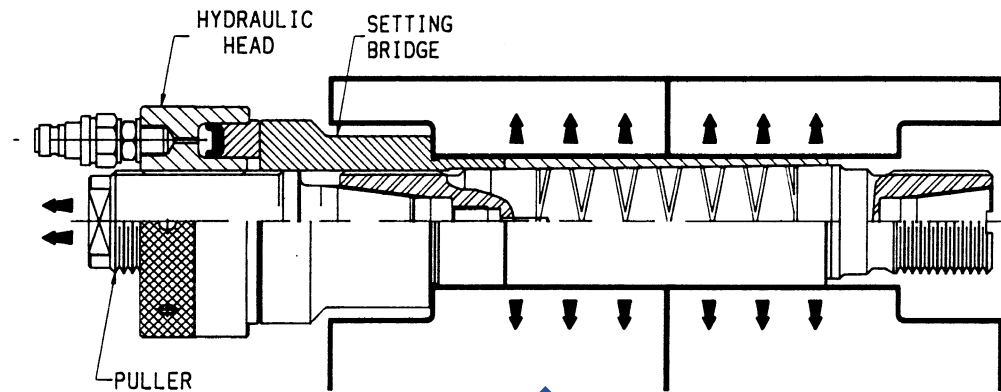
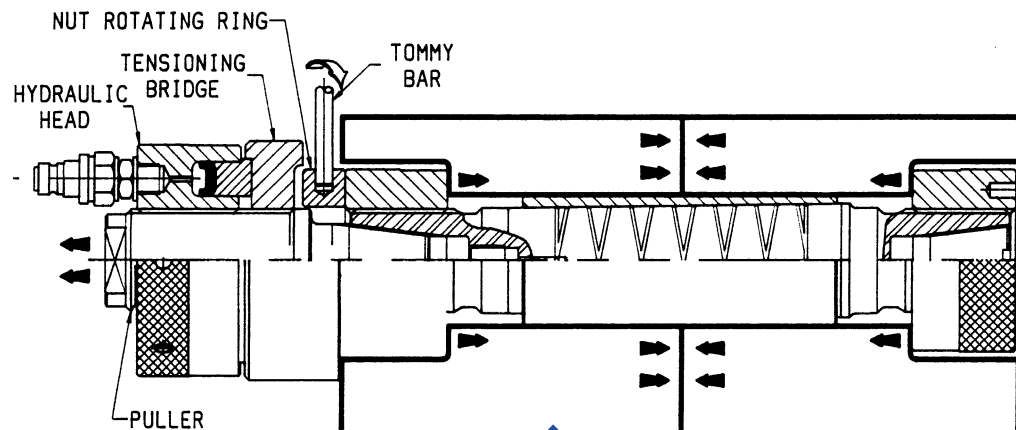


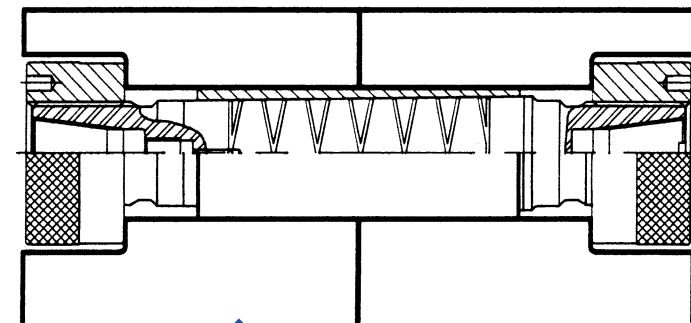
1 POSITION BOLT



2 EXPAND SLEEVE

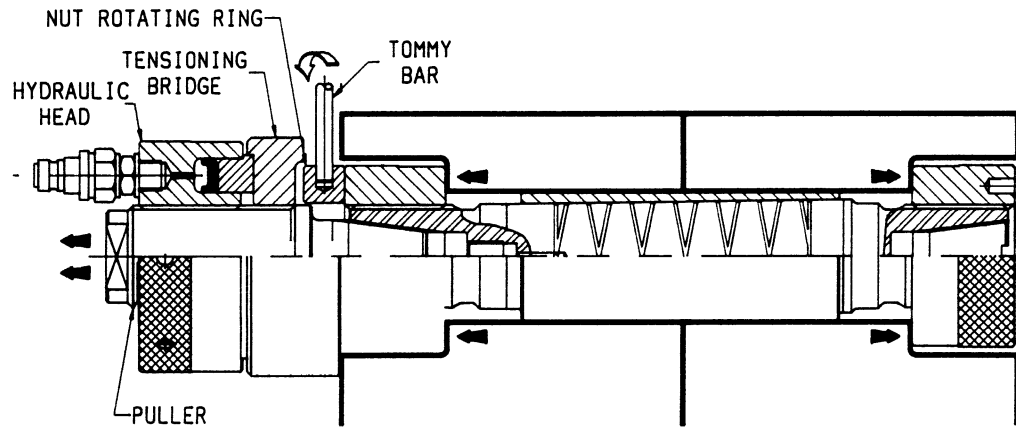


3 TENSION BOLT

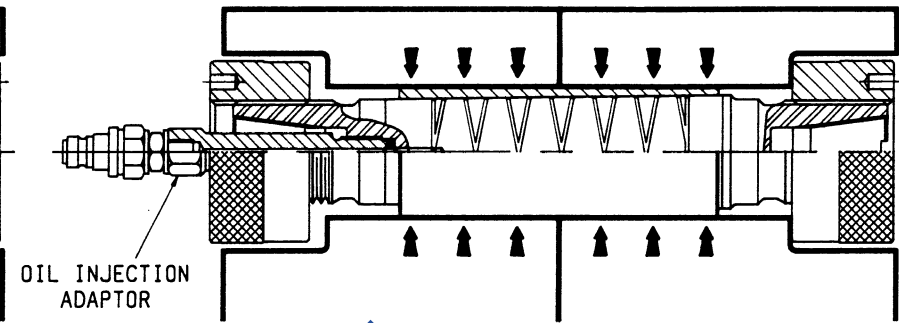


4 INSTALLED BOLT

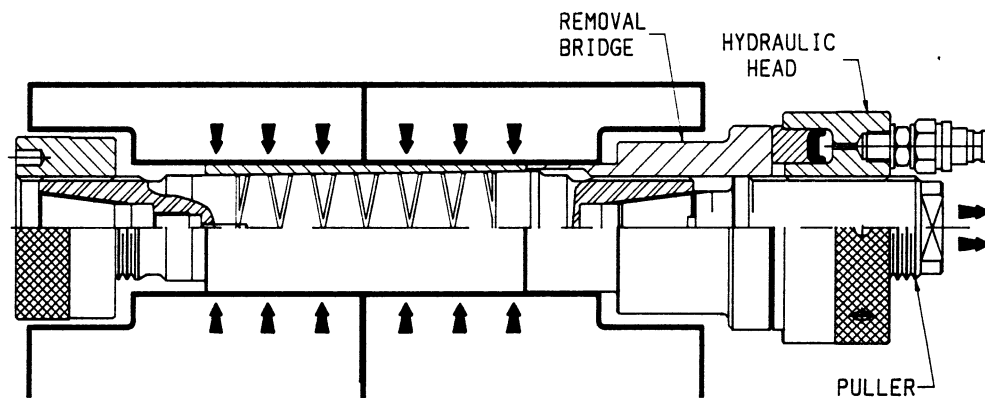
**RADIAL FIT BOLT
INSTALLATION PROCEDURE - INTERNAL NUTS**



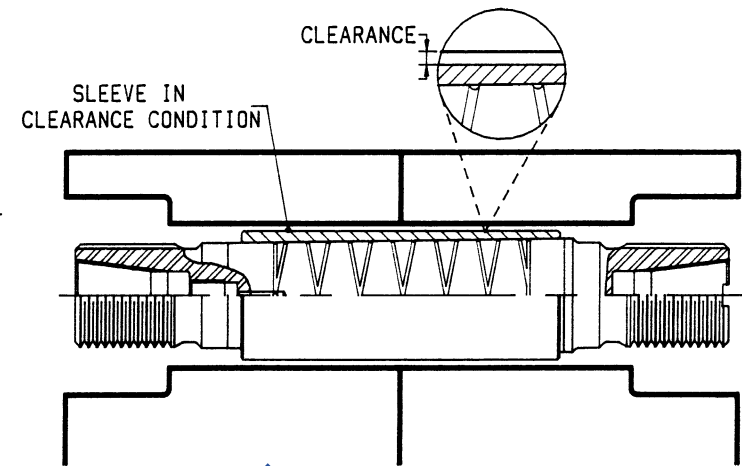
1 RELEASE TENSION



2 RELEASE SLEEVE BY OIL INJECTION



3 RELEASE SLEEVE ALTERNATIVE METHOD



4 BOLT FREE

**RADIAL FIT BOLT
REMOVAL PROCEDURE - INTERNAL NUTS**