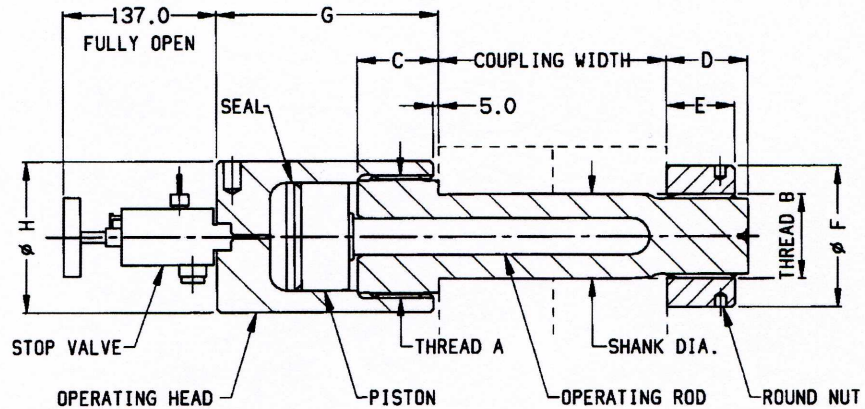


MORGRIP™ BOLTS

Maximum working pressure
2070 bar (30000 lbs/in²).

Overpressurisation burst
disc incorporated into the
Operating Head Valve.

Design feature incorporated
in the Operating Head to
prevent pressurisation in the
event of insufficient thread
engagement.



The sizes shown in the Table are for the standard range of MORGRIP Bolts and are intended for guidance only. Special designs are available to suit customers requirements.

| All dimensions shown in millimetres | | | | | | | | |
|-------------------------------------|-----------|------------|-----|-----|-----|-----|-----|-----|
| SHANK DIA | A | B | C | D | E | F | G | H |
| 43 - 48 | M 72 x 6 | M 42 x 4.5 | 60 | 49 | 34 | 75 | 156 | 87 |
| 48 - 51 | M 80 x 6 | M 48 x 5 | 62 | 53 | 38 | 87 | 162 | 98 |
| 51 - 56 | M 80 x 6 | M 52 x 5 | 62 | 57 | 42 | 92 | 162 | 98 |
| 56 - 59 | M 90 x 6 | M 56 x 5.5 | 66 | 60 | 45 | 98 | 170 | 110 |
| 59 - 64 | M 90 x 6 | M 60 x 5.5 | 66 | 63 | 48 | 104 | 170 | 110 |
| 64 - 67 | M 100 x 6 | M 64 x 6 | 69 | 66 | 51 | 110 | 184 | 123 |
| 67 - 72 | M 100 x 6 | M 68 x 6 | 69 | 69 | 54 | 116 | 184 | 123 |
| 72 - 75 | M 110 x 6 | M 72 x 6 | 72 | 73 | 58 | 121 | 197 | 136 |
| 75 - 80 | M 110 x 6 | M 76 x 6 | 72 | 76 | 61 | 127 | 197 | 136 |
| 80 - 85 | M 125 x 6 | M 80 x 6 | 76 | 79 | 64 | 133 | 206 | 154 |
| 85 - 90 | M 125 x 6 | M 85 x 6 | 76 | 83 | 68 | 139 | 206 | 154 |
| 90 - 95 | M 140 x 6 | M 90 x 6 | 85 | 87 | 72 | 150 | 223 | 172 |
| 95 - 100 | M 140 x 6 | M 95 x 6 | 85 | 91 | 76 | 156 | 223 | 172 |
| 100 - 105 | M 150 x 6 | M 100 x 6 | 90 | 95 | 80 | 167 | 237 | 186 |
| 105 - 110 | M 150 x 6 | M 105 x 6 | 90 | 99 | 84 | 173 | 237 | 186 |
| 110 - 120 | M 160 x 6 | M 110 x 6 | 100 | 103 | 88 | 179 | 263 | 203 |
| 120 - 125 | M 160 x 6 | M 120 x 6 | 100 | 111 | 96 | 196 | 263 | 203 |
| 125 - 130 | M 190 x 6 | M 120 x 6 | 110 | 111 | 96 | 196 | 286 | 236 |
| 130 - 140 | M 190 x 6 | M 130 x 6 | 110 | 119 | 104 | 214 | 286 | 236 |
| 140 - 150 | M 210 x 6 | M 140 x 6 | 125 | 127 | 112 | 231 | 321 | 264 |
| 150 - 160 | M 210 x 6 | M 150 x 6 | 125 | 135 | 120 | 243 | 321 | 264 |